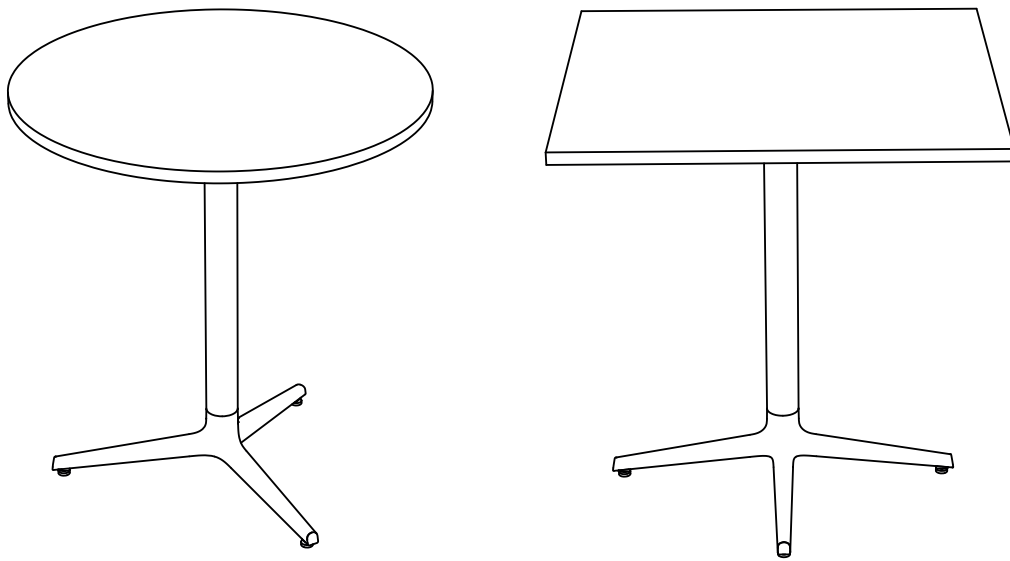


# Allez Table

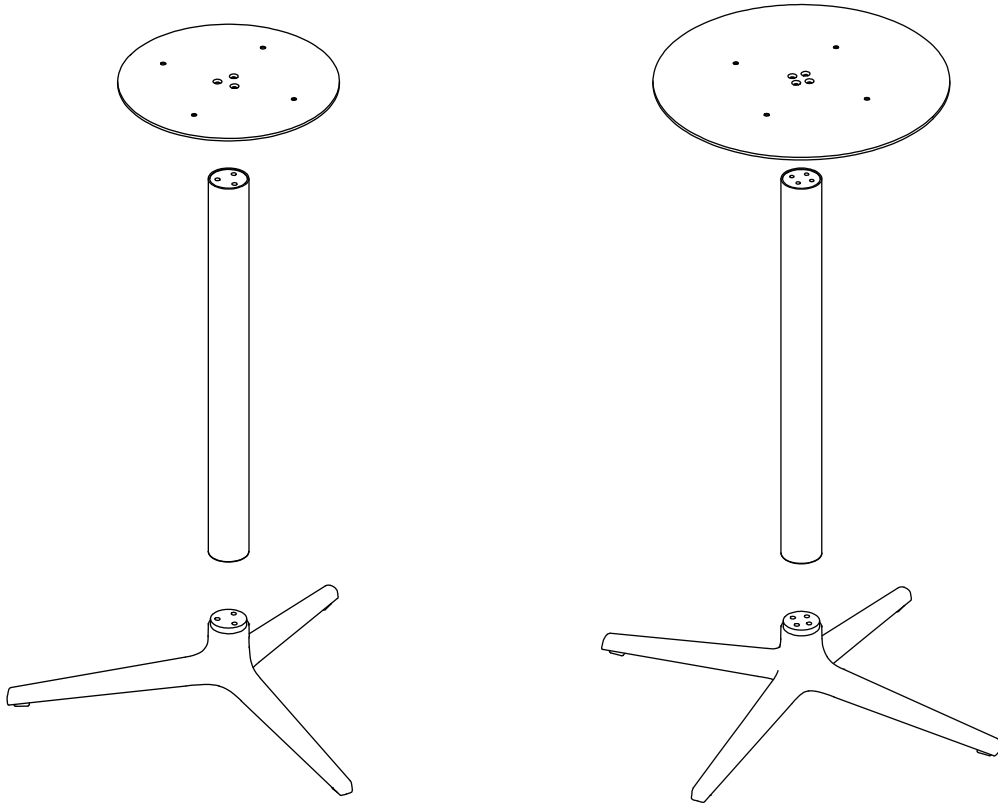
## Assembly Instructions



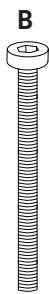
**normann**

C O P E N H A G E N

1



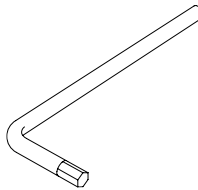
x3 /x4



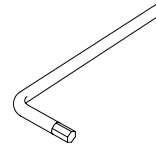
x3 /x4



x4

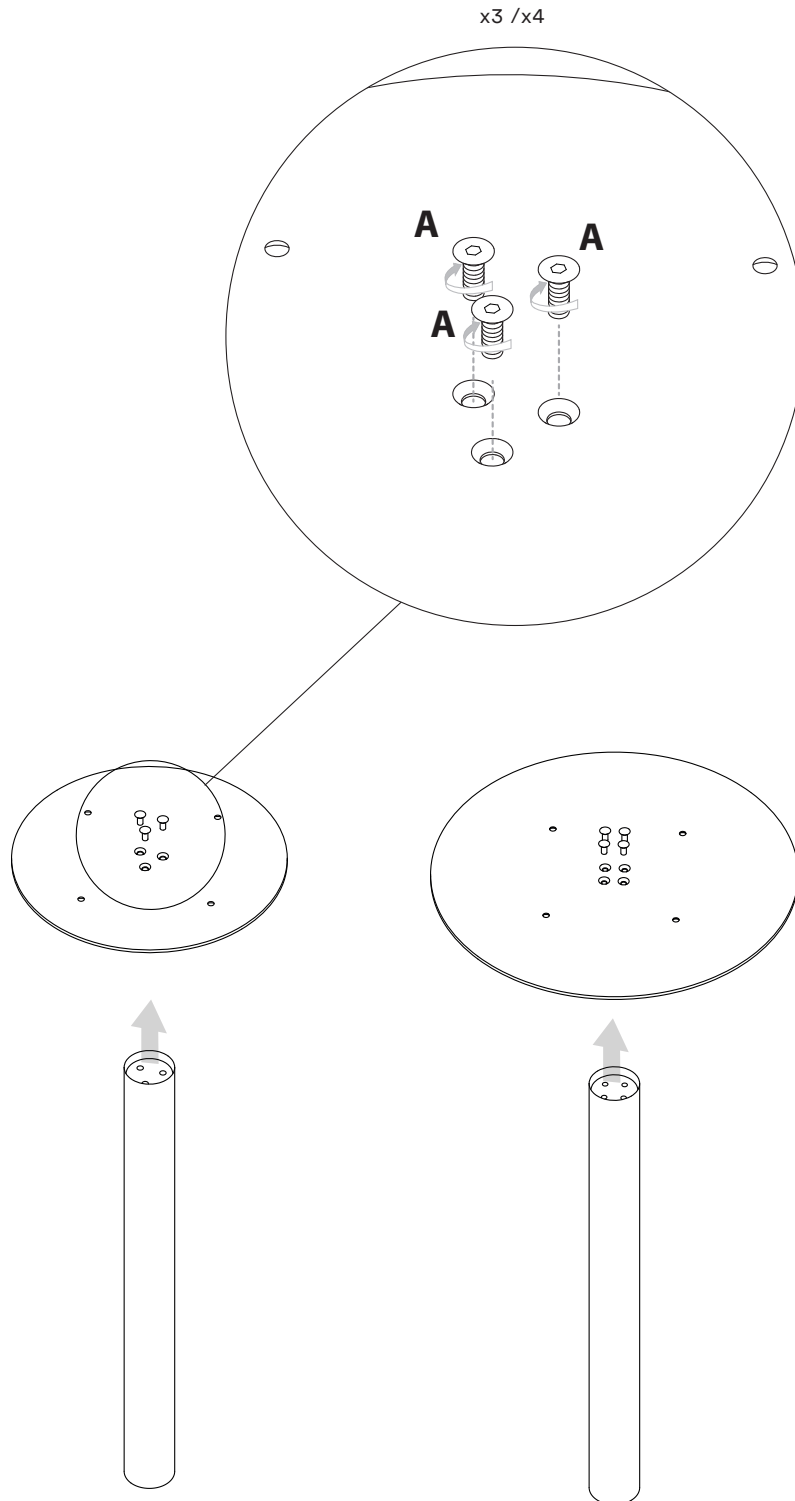


x1

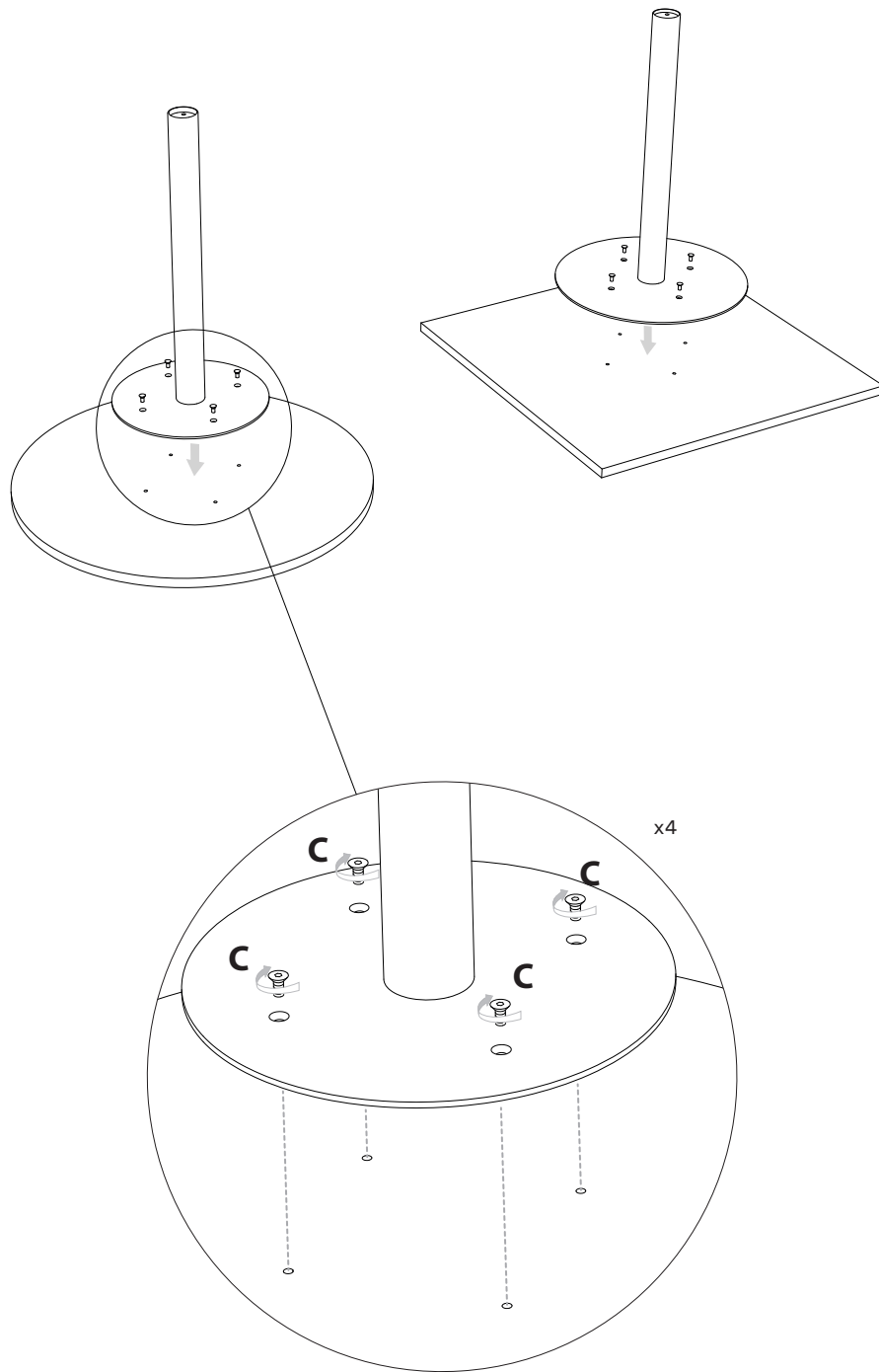


x1

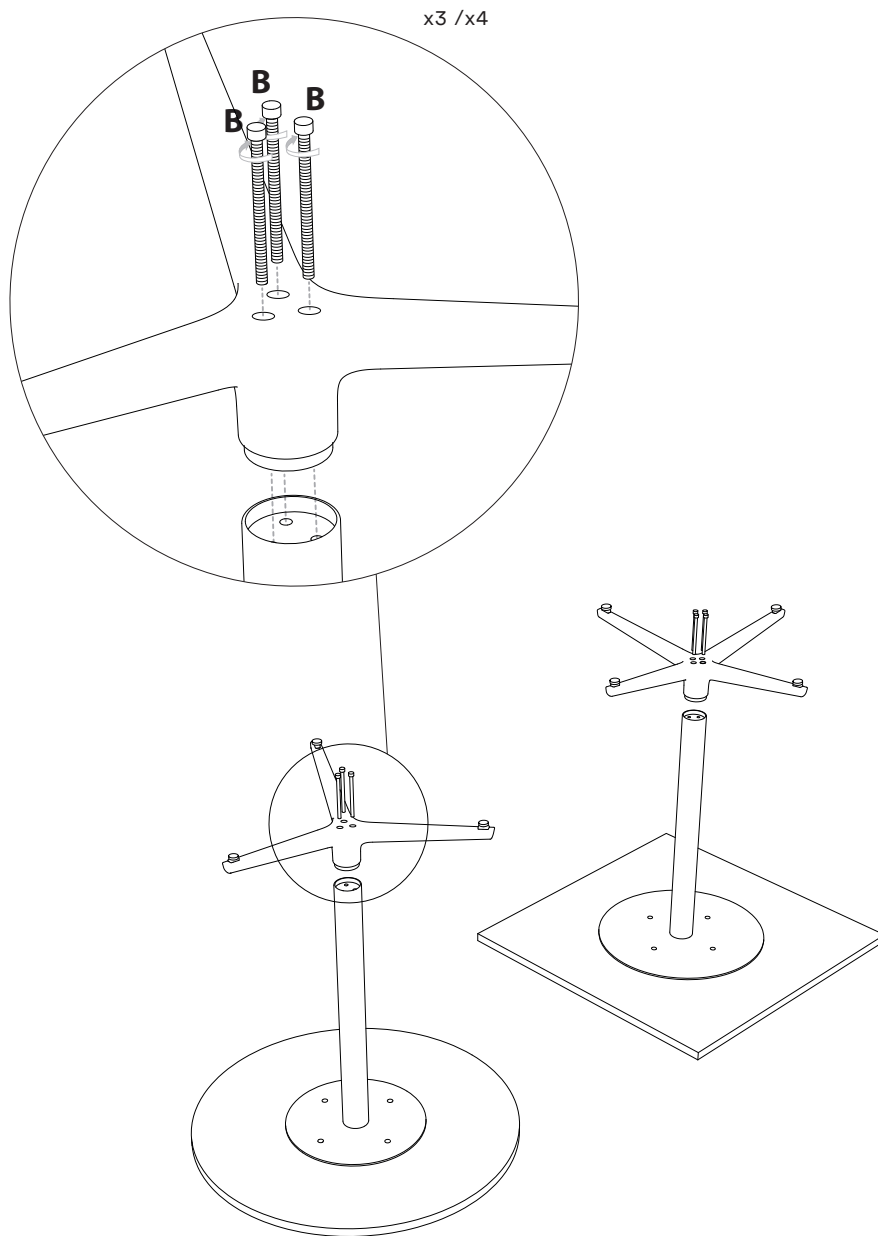
2



3



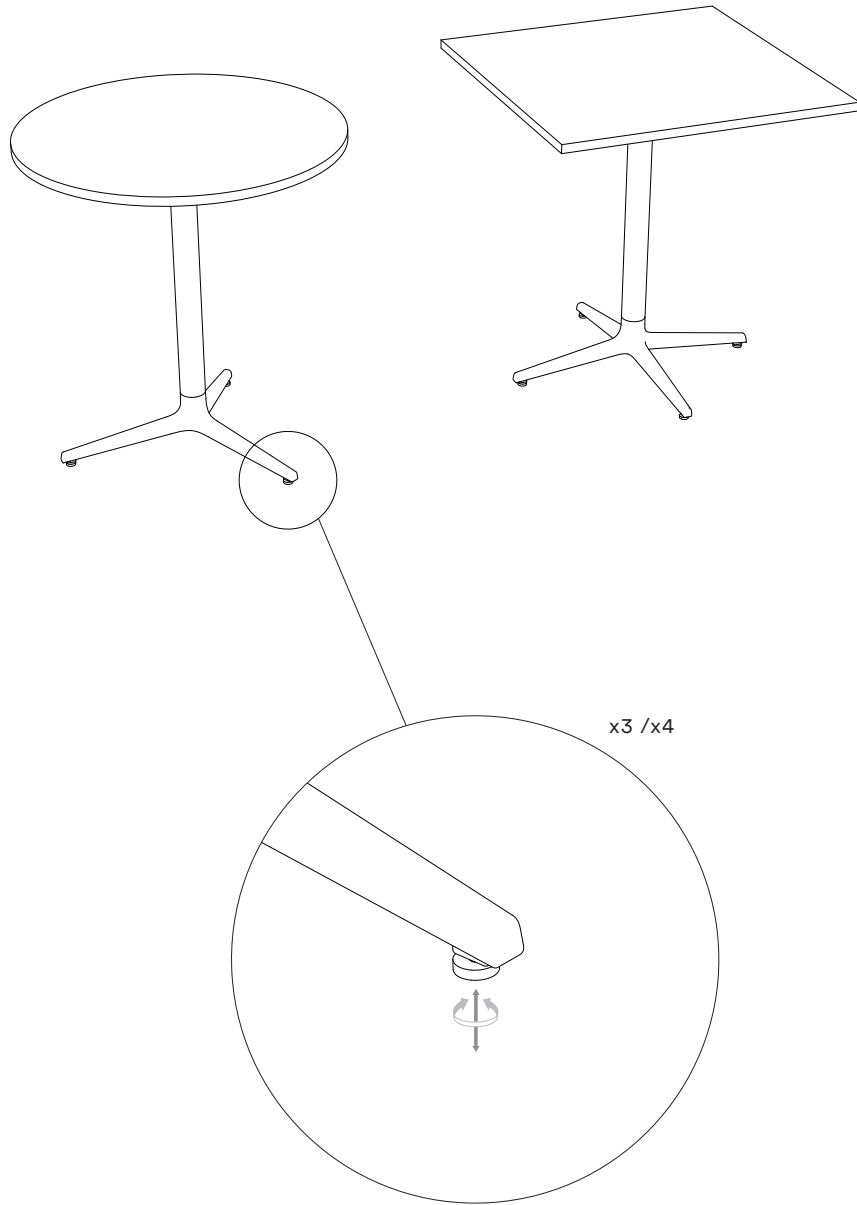
4



**normann**

C O P E N H A G E N

5



---

**normann**

C O P E N H A G E N